



Label Printer

SQUIX

for the following products

Family	Type	
	Media guiding left-aligned	Media guiding centered
SQUIX	SQUIX 2	-
	SQUIX 2P	-
	SQUIX 4	SQUIX 4M
	SQUIX 4P	SQUIX 4MP
	SQUIX 4.3	SQUIX 4.3M
	SQUIX 4.3P	SQUIX 4.3MP
	-	SQUIX 4MT
	-	SQUIX 4.3MT
	SQUIX 6.3	-
	SQUIX 6.3P	-

Edition: 03/2019 - **Part No.** 9009985

Copyright

This documentation as well as translation hereof are property of cab Produkttechnik GmbH & Co. KG.

The replication, conversion, duplication or divulgement of the whole manual or parts of it for other intentions than its original intended purpose demand the previous written authorization by cab.

Trademark

Windows is a registered trademark of the Microsoft Corporation.

Editor

Regarding questions or comments please contact cab Produkttechnik GmbH & Co. KG.

Topicality

Due to the constant further development of our products discrepancies between documentation and product can occur.

Please check www.cab.de for the latest update.

Terms and conditions

Deliveries and performances are effected under the General conditions of sale of cab.

Germany
cab Produkttechnik GmbH & Co KG
 Karlsruhe
 Phone +49 721 6626 0
www.cab.de

USA
cab Technology, Inc.
 Chelmsford, MA
 Phone +1 978 250 8321
www.cab.de/us

Taiwan
cab Technology Co., Ltd.
 Taipei
 Phone +886 (02) 8227 3966
www.cab.de/tw

China
cab (Shanghai) Trading Co., Ltd.
 Guangzhou
 Phone +86 (020) 2831 7358
www.cab.de/cn

France
cab Technologies S.à.r.l.
 Niedermodern
 Phone +33 388 722501
www.cab.de/fr

Mexico
cab Technology, Inc.
 Juárez
 Phone +52 656 682 4301
www.cab.de/es

China
cab (Shanghai) Trading Co., Ltd.
 Shanghai
 Phone +86 (021) 6236 3161
www.cab.de/cn

South Africa
cab Technology (Pty) Ltd.
 Randburg
 Phone +27 11 886 3580
www.cab.de/za

1	Introduction	4
1.1	Instructions.....	4
1.2	General Safety Instructions.....	5
1.3	Protective Devices	5
1.4	Handling Electricity	6
1.5	Procedure in Case of Accidents	6
2	Cleaning	7
2.1	Cleaning by the Operator	7
2.2	Cleaning the Label Sensor SQUIX 6.3.....	7
3	Replacing Assembly Units	8
3.1	Tools.....	8
3.2	Replacing the Printhead.....	8
3.3	Replacing the Print Roller and the Rewind Assist Roller.....	10
3.4	Replacing the Slipping Clutches	11
3.5	Replacing the Label Sensor	13
3.6	Replacing the PCB CPU	14
3.7	Replacing the Power Supply Unit.....	15
3.8	Installing the PCB I/O Interface.....	16
3.9	Greasing Bearing Seats	17
4	Adjustments	18
4.1	Measuring and Adjusting the Winding Torques	18
4.1.1	Measuring the Winding Torques	18
4.1.2	Adjusting the Winding Torques	21
4.2	Adjusting the Printing Mechanism.....	22
4.2.1	Preparing the Printer for Adjustment	22
4.2.2	Adjusting the Printhead Position.....	23
4.2.3	Adjusting the Printhead Pressure	24
4.2.4	Adjusting the Transfer Ribbon Feed Path.....	25
4.2.5	Final Test	25
4.3	Adjusting the Belt Tension at the Main Drive Motor	26
5	Troubleshooting and Error Treatment.....	27
5.1	Failure of Device Functions.....	27
5.2	Permanent Hardware Faults	27
6	Block Diagram	28
7	Layout Diagram PCB CPU.....	29
8	Index.....	30

1.1 Instructions

Important information and instructions in this documentation are designated as follows:

**Danger!**

Draws attention to an exceptionally great, imminent danger to your health or life due to hazardous voltages.

**Danger!**

Draws attention to a danger with high risk which, if not avoided, may result in death or serious injury.

**Warning!**

Draws attention to a danger with medium risk which, if not avoided, may result in death or serious injury.

**Caution!**

Draws attention to a danger with low risk which, if not avoided, may result in minor or moderate injury.

**Attention!**

Draws attention to potential risks of property damage or loss of quality.

**Note!**

Advices to make work routine easier or on important steps to be carried out.

**Environment!**

Gives you tips on protecting the environment.



Handling instruction



Reference to section, position, illustration number or document.



Option (accessories, peripheral equipment, special fittings).

Time

Information in the display.

1.2 General Safety Instructions

This service manual is intended for use by qualified service and maintenance personnel. For more operation and configuration information, refer to the user or configuration manual.

Follow the general safety rules below:

- Keep the area around the device clean at all times!
- Work with safety in mind.
- Parts of device that are removed during the maintenance work must be put in a safe place.
- Avoid risks of tripping over.



Danger!

Double pole/neutral fusing.



Danger!

Danger to life and limb from increased current flow through metal parts in contact with the device.

- ▶ Do not wear clothing with metal parts.
- ▶ Do not wear jewelry.
- ▶ Do not wear spectacles with metal frames.



Warning!

Items of clothing drawn into the device by moving parts can lead to injuries.

- ▶ Do not wear any items of clothing which could get caught by moving parts.

1.3 Protective Devices



Warning!

There is a risk of injury if protective devices are missing or defective.

- ▶ Replace all protective devices (covers, safety notices, grounding cables etc) after maintenance work has been completed.
- ▶ Replace parts that have become defective or unusable.

Wear protective goggles for:

- Knocking pins or similar parts in or out with a hammer.
- Using spring hooks.
- Inserting or removing springs, retaining rings or grip rings.
- Using solvents, cleansers or other chemicals.

1.4 Handling Electricity

The following work may only be done by trained and qualified electricians:

- Work on electrical components.
- Work on an open device still connected to the mains supply.

General precautions before starting maintenance work:

- Find out where the emergency and power switches are so that they can be quickly thrown in an emergency.
- Disconnect the current supply before carrying out the following work:
 - Installing or removing power units.
 - Working in the immediate vicinity of open power supply components.
 - Mechanical check of power supply components.
 - Modifying circuits in the device.
- Test the zero potential of the device parts.
- Check the working area for possible sources of danger, such as wet floors, defective extension cables, defective protective conductor connections.

Additional precautions in the case of exposed voltages:

- Ask a second person to remain near the working site. This person must know where the emergency and power switches are, and how to switch the current off if danger arises.
- Only use one hand to work on electric circuits of devices that are switched on. Keep the other hand behind your back or in your pocket.
This prevents electricity from flowing through your own body.

1.5 Procedure in Case of Accidents

- Act calmly and with great care.
- Avoid danger to yourself.
- Switch off power.
- Request medical assistance.
- Give first aid, if necessary.

2.1 Cleaning by the Operator

The following cleaning work is described in the ▷ Operator's Manual.

- Cleaning the device
- Cleaning the printhead
- Cleaning the print roller
- Cleaning the label sensor SQUIX 2 / SQUIX 4

2.2 Cleaning the Label Sensor SQUIX 6.3

**Danger!**

Risk of death via electric shock!

- ▶ Before opening the housing cover, disconnect the device from the mains supply and wait at least one minute until the power supply unit has discharged.

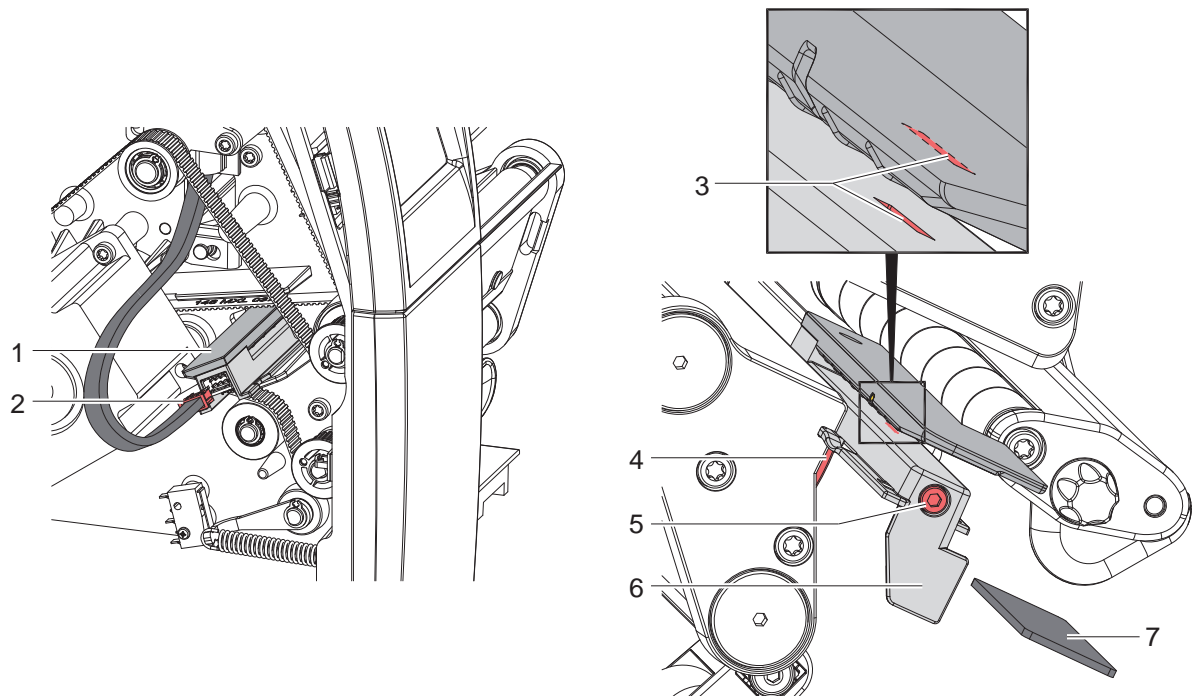


Fig. 1 Cleaning the label sensor SQUIX 6.3

1. Remove the rear cover.
2. Remove the material from the printer.
3. Disconnect the plug (2) from the label sensor (1).
4. Loosen the screw (5).
5. Hold pressed the knob (4) and pull the label sensor with the handle (6) out of the profile. That way the distance plate (7) is pushed out of label sensor guide.
6. Clean the label sensor slots (3) with brush or cotton swab soaked in pure alcohol.
7. Push label sensor back into the guide.
8. Push the distance plate (7) into the guide of the label sensor.
9. Connect the plug (2) to the label sensor (1).
10. Mount the rear cover.
11. Adjust label sensor mechanically and tighten the screw (5) ▷ Operator's Manual.

3.1 Tools

- ▶ Do not use any worn or damaged tools.
- ▶ Only use tools and testing devices that are suitable for the task at hand.

cab special tools:

- Test collar for transfer ribbon winder (cab item number: 5540932)

Utilities:

- Grease for plastic materials (cab Part No.: 9200196)
- All-round high-performance grease (cab Part No.: 5907092)

Standard tools:

- Phillips-head screwdriver, size 1
- Allen key 1,5 mm
- Screw driver Torx, size TX 20
- Snap-ring pliers A0
- Cylindrical dynamometer (spring scale), 0 - 10 N
- Cylindrical dynamometer (spring scale), 0 - 25 N
- Jaw wrench 8 mm

3.2 Replacing the Printhead

The printhead of the label printer can be replaced without the need for fine adjustment. The printhead must be replaced if worn or when switching to a printhead with higher or lower resolution.

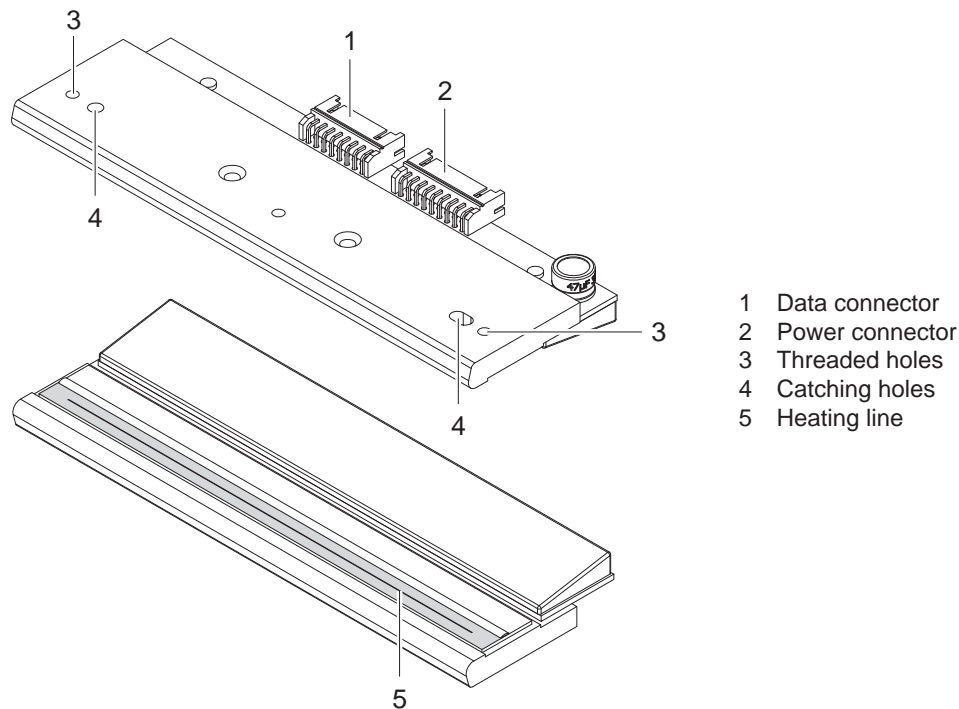


Fig. 2 Structure of the printhead



Attention!

The printhead can be damaged by static electricity discharges and impacts!

- ▶ Set up printer on a grounded, conductive surface.
- ▶ Ground your body, e.g. by wearing a grounded wristband.
- ▶ Do not touch contacts on the plug connections (1, 2).
- ▶ Do not touch heating line (5) with hard objects or your hands.

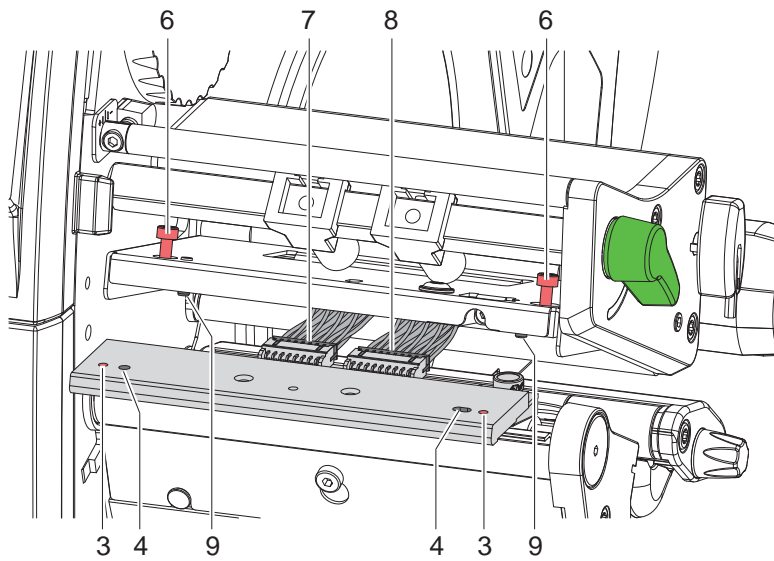


Fig. 3 Replacing the printhead

Dismounting the Printhead

1. Remove the media from the printer.
2. Lock the printhead.
3. Loosen two screws (6).
4. Open the printhead locking and if necessary remove the printhead from the pins (9).
5. First unplug the power cable (8), followed by the data cable (7).

Mounting the Printhead

1. First connect the data cable (7), followed by the power cable (8).
2. Place the printhead into the printhead assembly and insert the pins (9) into the holes (4).
3. Press down the printhead carriage and fix the printhead with the screws (6) at the carriage using the threaded holes (3).
4. Clean the heating line with the cleaning cloth included in the contents of delivery.
5. Reload labels and transfer ribbon.

3.3 Replacing the Print Roller and the Rewind Assist Roller

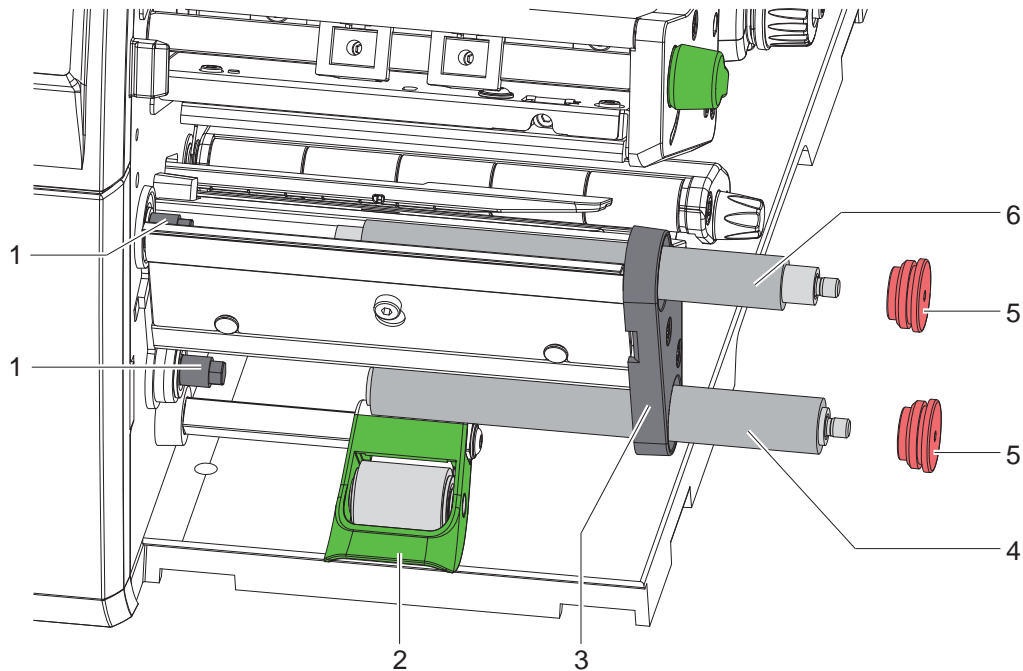


Fig. 4 Replacing the print roller and the rewind assist roller

1. Open the printhead locking.
2. Lift the pinch roller (2) from the rewind assist roller.
3. Remove labels and transfer ribbon from the printer.
4. Turn the roller bearings (5) with the 2.5 mm Allen key out of the side plate (3).
5. Pull print roller (6) and rewind assist roller (4) from the shafts (1) through the side plate (3).
6. Clean the shafts (1).
7. Lubricate the shafts (1) with all-round high-performance grease.
8. Insert the new rollers (4,6) and slide them onto the concerning shaft(1). Turn the rollers slightly until the hexagonal shafts engage the hexagonal sockets of the rollers.
9. Put the roller bearings (5) onto the axles of the rollers and screw them into the side plate (3).

3.4 Replacing the Slipping Clutches

The rewinder for the transfer ribbon and the internal rewinder are coupled with slipping clutches to the main drive. The supply hub of the transfer ribbon is braked with a slipping clutch during printing.

Replace a slipping clutch when the set value of the torque cannot be set. ▷ 4.1 on page 18. Removal and installation of the slipping clutch is also required for replacement of a winder.

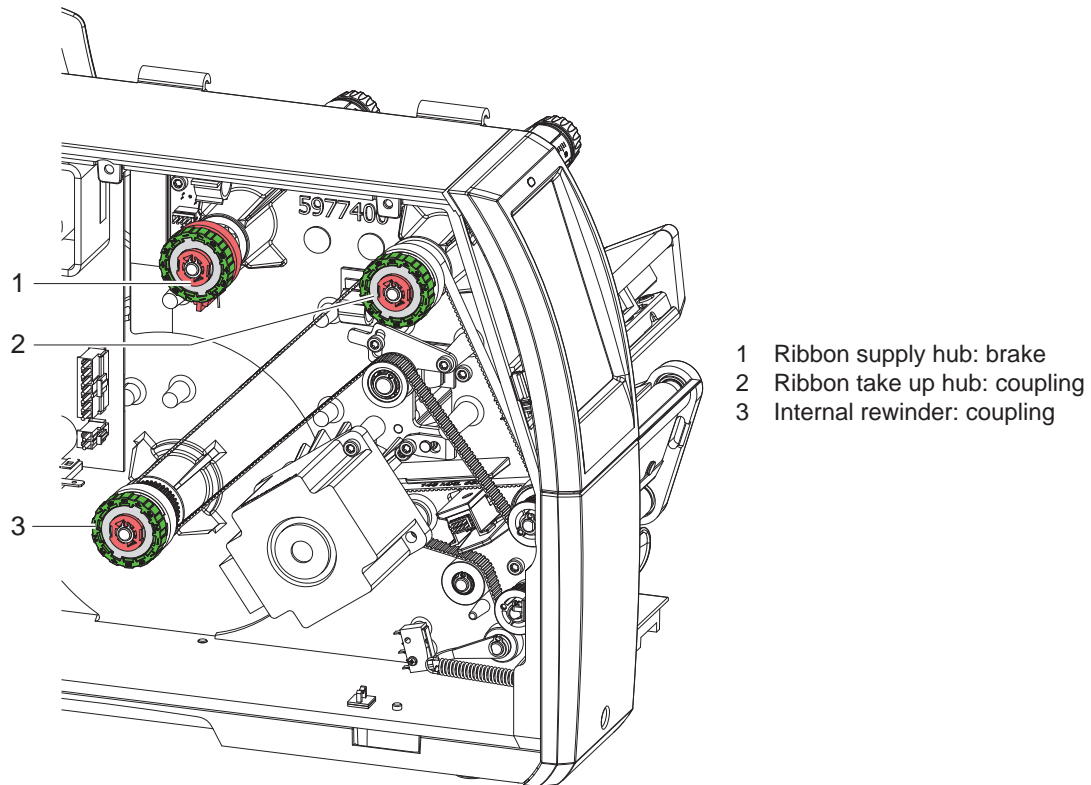


Fig. 5 Slipping clutches



Danger!

Risk of death via electric shock!

- ▶ Before opening the housing cover, disconnect the device from the mains supply and wait at least one minute until the power supply unit has discharged.

Replacing the Slipping Clutches at the Rewinders

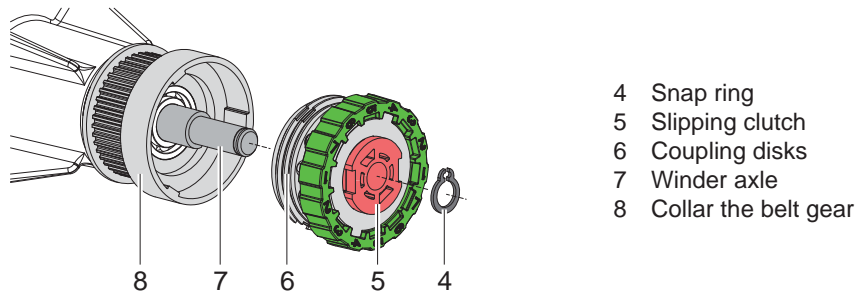


Fig. 6 Slipping clutches at the rewinders

1. Unplug the printer from the electrical outlet.
2. Remove the rear cover of the printer
3. Remove the snap ring (4).
4. Pull the clutch (5) from the winder axle (7).
5. Slide the new clutch (5) onto the winder axle (7).
6. Align grooves in the coupling disks (6) with the guides in the collar of the belt gear (8).
7. Slide coupling further until it stops.
8. Secure the snap ring (4).
9. Adjust the clutch ▷ 4.1 on page 18.

Replacing the Brake at the Ribbon Unwinder

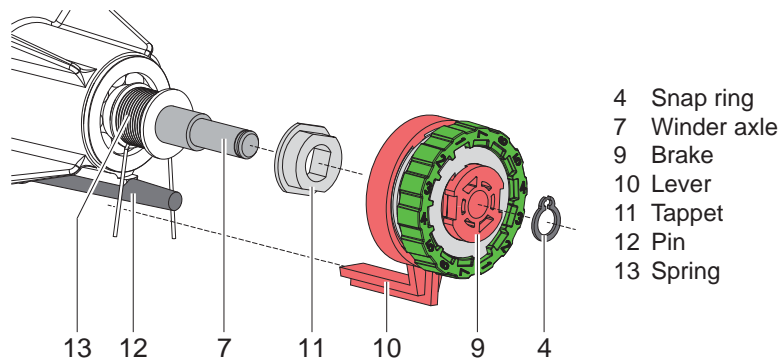


Fig. 7 Brake at the ribbon unwinder

1. Unplug the printer from the electrical outlet.
2. Remove the rear cover of the printer
3. Remove the snap ring (4).
4. Pull the brake (9) from the winder axle (7). Ensure that the tappet (11) remains on the winder axle. Reattach the tappet to the winder axle if it has been pulled off. The axle profile is shaped in such a way that the tappet only fits in one way.
5. Check the position of the spring (13). Ensure that the pin (12) grasps between the spring arms.
6. Slide the new brake (9) onto the winder axle (7) in such a way that it fits on the hexagonal profile of the tappet (11).
7. Push the clutch further until it stops in such a way that lever (10) grasps between the spring arms..
8. Secure the snap ring (4).
9. Adjust the brake ▷ 4.1 on page 18.

3.5 Replacing the Label Sensor



Note!
Soiling of the label sensor can also cause malfunctions.

- ▶ Before replacing the label sensor, check whether it is soiled and clean it if necessary.

**Danger!**

Risk of death via electric shock!

- ▶ Before opening the housing cover, disconnect the device from the mains supply and wait at least one minute until the power supply unit has discharged.

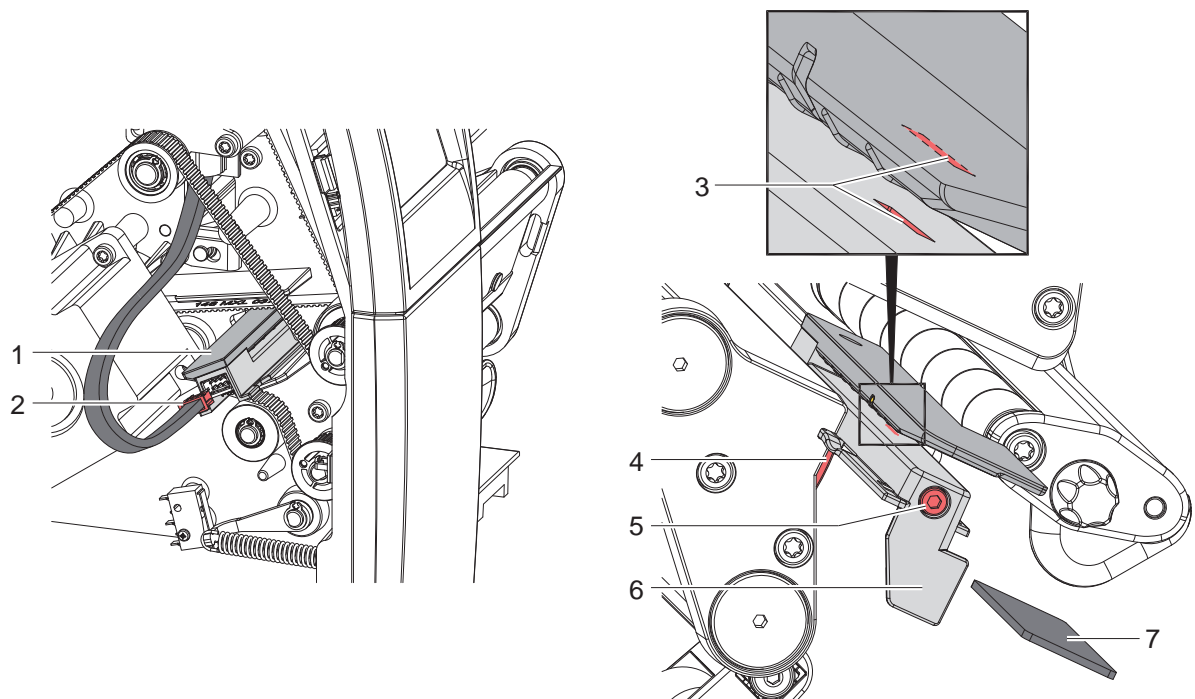


Fig. 8 Replacing the label sensor

1. Remove the rear cover.
2. Remove the material from the printer.
3. Disconnect the plug (2) from the label sensor (1).
4. Loosen the screw (5).
5. Hold pressed the knob (4) and pull the label sensor with the handle (6) out of the profile. At SQUIX 6.3 that way the distance plate (7) is pushed out of label sensor guide.
6. Push the new label sensor into the guide. At SQUIX 6.3 push the distance plate (7) into the guide of the label sensor.
7. Connect the plug (2) to the label sensor (1).
8. Mount the rear cover.
9. Adjust label sensor mechanically and tighten the screw (5) ▷ Operator's Manual.
10. Adjust label sensor electrically ▷ Configuration Manual > *Calibrate label sensor*.

3.6 Replacing the PCB CPU



Danger!

Risk of death via electric shock!

- ▶ Before opening the housing cover, disconnect the device from the mains supply and wait at least one minute until the power supply unit has discharged.

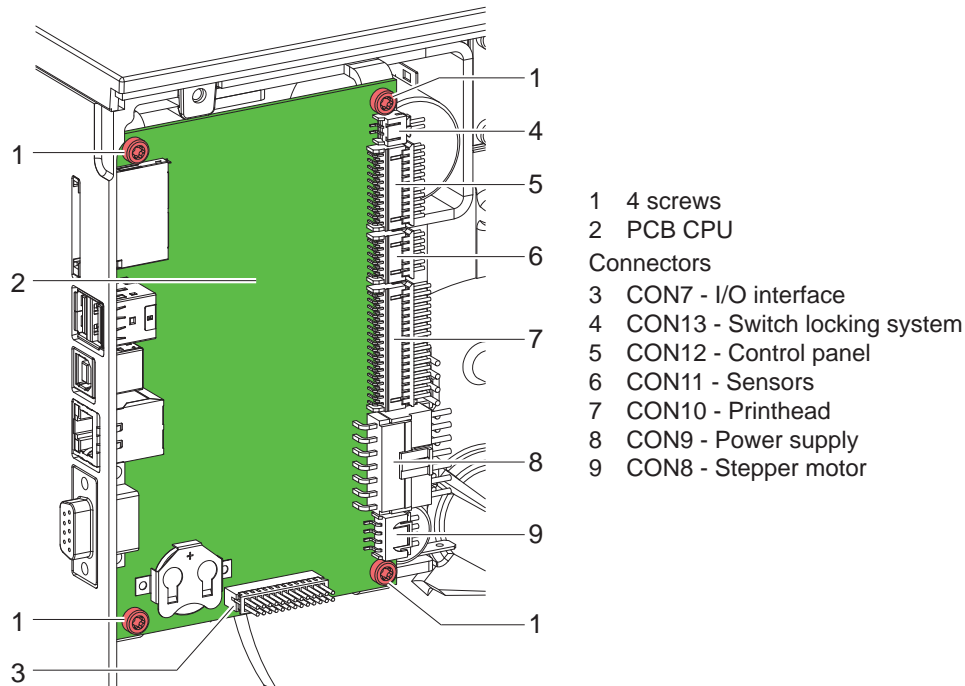


Fig. 9 Replacing the PCB CPU

1. If possible, save the printer configuration to an external medium ▷ Configuration Manual.
2. Unplug the printer from the electrical outlet.
3. Detach all interface cables from the back of the printer.
4. Remove all memory media from the slots.
5. Dismount the rear cover.
6. Unplug all plug connections (3-9) from the PCB CPU (2).
7. Loosen screws (1) and remove PCB CPU (2).
8. Attach the new PCB CPU (2) with four screws (1).
9. Connect all cables to the PCB CPU (2).
10. Mount the rear cover.
11. Restore all interface connections on the back of the printer.
12. Connect the power cable.
13. Update the firmware if necessary.
14. Adjust the label sensor ▷ Configuration Manual.
15. Load the printer configuration from the memory medium if possible. Otherwise, set the printer configuration via control panel ▷ Configuration Manual.

3.7 Replacing the Power Supply Unit

**Danger!**

Risk of death via electric shock!

- ▶ Before opening the housing cover, disconnect the device from the mains supply and wait at least one minute until the power supply unit has discharged.

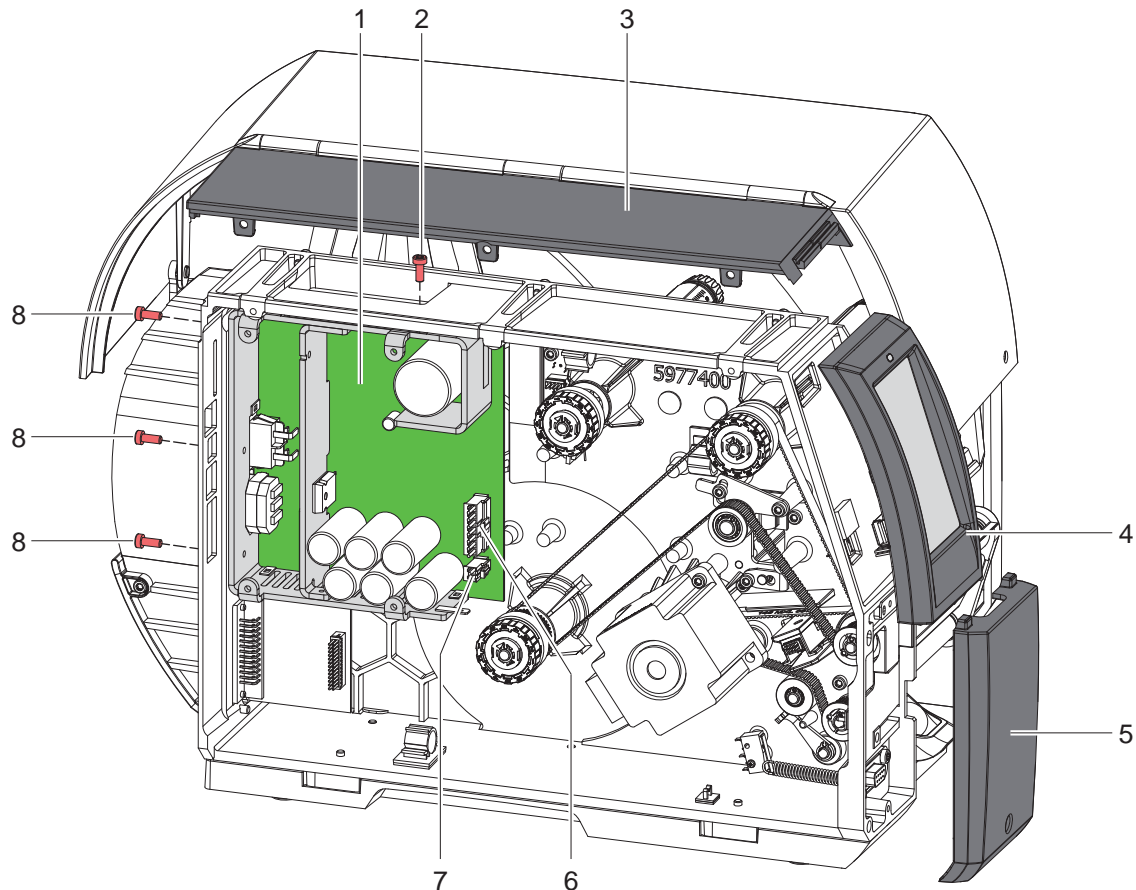


Fig. 10 Replacing the power supply unit

1. Unplug the printer from the electrical outlet.
2. Remove the rear cover.
3. Dismount cover (5), control panel (4) and cover (3).
4. Dismount the PCB CPU ▷ 3.6 on page 14.
5. Unplug the cables from the connectors (6,7).
6. Loosen 3 screws (8).
7. Loosen screw (2) and remove the power supply unit (1).
8. Insert the new power supply unit and fix it with the screws (2,8).
9. Connect the cables at the connectors (6,7).
10. Re-mount the PCB CPU
11. Re-mount cover (3), control panel (4) and cover (5).
12. Mount the rear cover.

3.8 Installing the PCB I/O Interface

**Danger!****Risk of death via electric shock!**

- ▶ Before opening the housing cover, disconnect the device from the mains supply and wait at least one minute until the power supply unit has discharged.

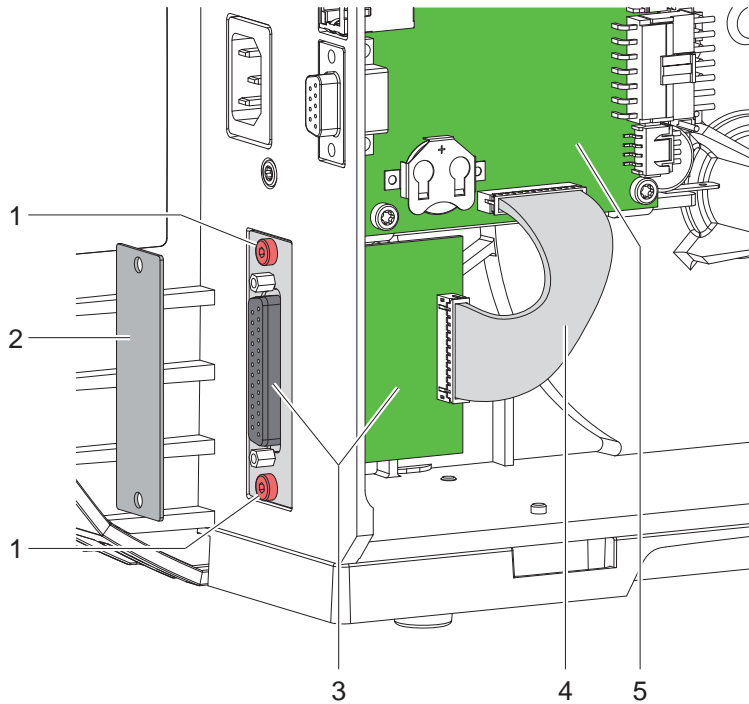


Fig. 11 Installing the PCB I/O interface

1. Unplug the printer from the electrical outlet.
2. Remove the rear cover.
3. Loosen two screws (1) and remove cover (2).
4. Insert the PCB I/O interface (3) and fix it with two screws (1)
5. Connect the cable (4) to the PCB I/O interface (3) and the PCB CPU (5).
6. Mount the rear cover.

3.9 Greasing Bearing Seats

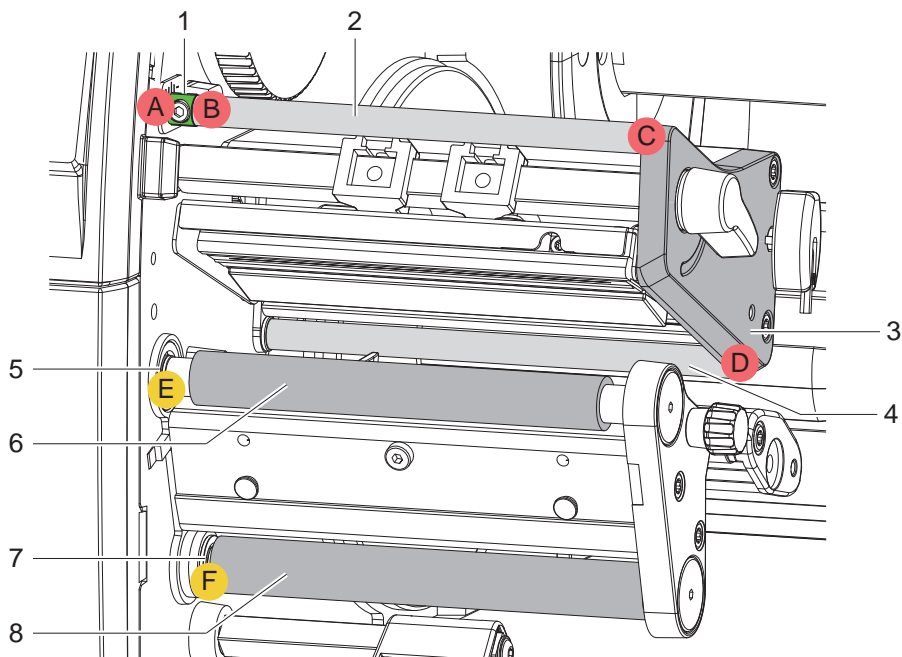


Fig. 12 Greasing bearing seats

Greasing of the following bearing seats is necessary if particular spare parts are mounted or assemblies are dismantled meanwhile:

With grease for plastic materials (Part No.: 9200196)

- A Pivot Arm (1) - Chassis
- B Roller (2) - Pivot Arm (1)
- C Side Plate (3) - Roller (2)
- D Side Plate (3) - Roller (4)

With all-round high-performance grease (Part No.: 5907092)

- E Print Roller (6) - Shaft (5)
- F Rewind Assist Roller (8) - Shaft (7)

4.1 Measuring and Adjusting the Winding Torques

The rewinder for the transfer ribbon and the internal rewinder are coupled with slipping clutches to the rewinder drive. The unwinder of the transfer ribbon is braked with slipping clutches during printing.

The correct setting of the torques of these slipping clutches is necessary for:

- precise conveyance of the transfer ribbon during label transport
- the prevention of wrinkles in the feed path of the transfer ribbon
- high positioning accuracy of the peeled labels.

The winding axes of the rewinders are not actively driven by the belts during label backfeed, but rather solely by the pull of the print roller. The torque required to disengage the rewinder from the belt drive is implemented via a brake in the winding reel, which works in both directions. The measured clockwise torque is the sum of the coupling torque and the torque of the brake. Only the torque of the brake is measured when the winding axis is rotating counter-clockwise. For this reason, measurement of the torques at the rewinders are required in both directions.

The method of measurement differs for the various types of slipping clutches:

- Measurement of the winding torques at the transfer ribbon rewinder and unwinder ▷ page 19.
- Measurement of the winding torque at the internal rewinder ▷ page 20.

If the winding torque differs from the set value, it must be adjusted. The procedures for adjusting the winding torques of the transfer ribbon winders and the internal rewinder are identical ▷ 4.1.2 on page 21.

4.1.1 Measuring the Winding Torques

Transfer Ribbon Rewinder and Unwinder

forces on a test collar attached to the winder.

The physical relation between the torque and the pulling force is:

$$F = M / r$$

F: Pulling force [N],

M: Winding torque [Ncm],

r: Radius of the test collar (30 mm)

The set values for the winding torque and the resulting pulling force at the test collar are:

Winder	Measurement	Direction of rotation	Printer	Winding torque M	Pulling force F
Ribbon rewriter	A	against winding direction	all	12.9 - 14.4 Ncm	4.3 - 4.8 N
	B	in winding direction	all	2.1 - 3.0 Ncm	0.7 - 1.0 N
Ribbon unwinder	C	any	SQUIX 4	3.6 - 4.5 Ncm	1.2 - 1.5 N
			SQUIX 6.3	6.0 - 7.5 Ncm	2.0 - 2.5 N

Table 1 Winding torques at the transfer ribbon winders

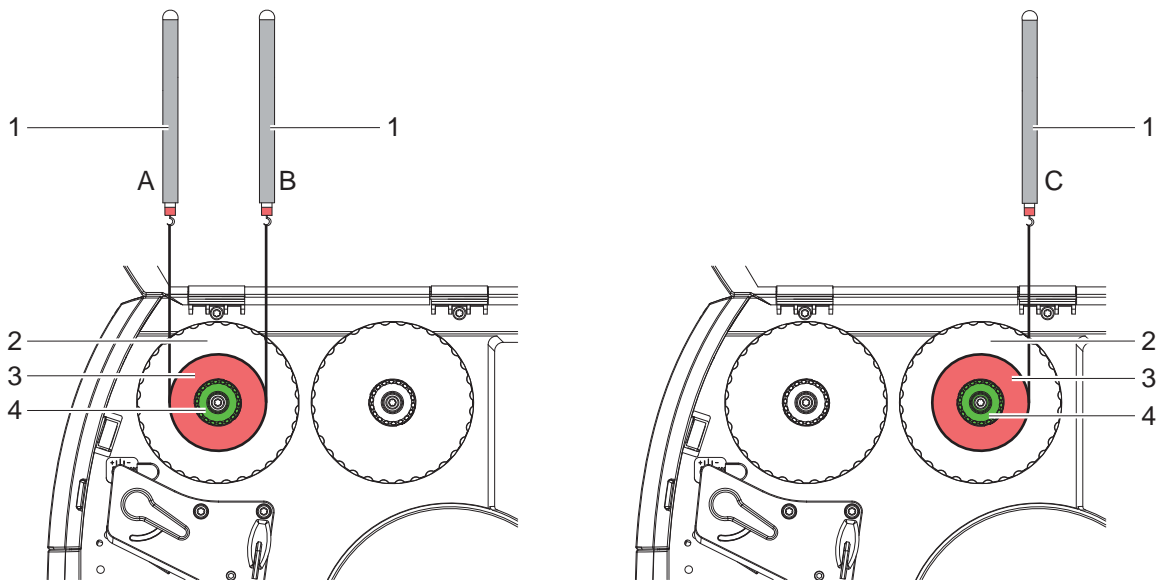


Fig. 13 Measuring the winding torque at the transfer ribbon rewriter (left) and unwinder (right)



Danger!

Risk of death via electric shock!

- Before opening the housing cover, disconnect the device from the mains supply and wait at least one minute until the power supply unit has discharged.

1. Unplug the printer from the electrical outlet.
2. Remove the rear cover.
3. Remove the transfer ribbon from the printer.
4. Attach the test collar (3) to the winder (4).
5. Turn the knurled nut counterclockwise to clamp the test collar.
6. Wind the cord attached to the test collar around the test collar several times.
7. Secure spring scale [10 N] (1) at the end of the cord.
8. Move the spring scale upward vertically until the winder begins turning.
9. Hold the drive belt in place during the measurement. Otherwise, the measurement is not accurate.
10. Allow the cord to unwind from the test collar at least one full turn and read the pulling force F on the spring scale at the same time.
11. If the winding torque differs from the set value, it must be adjusted ▷ 4.1.2 on page 21.

Internal Rewinder

Measurement of the winding torque at the internal rewriter occurs by determining the pulling forces with a cord wrapped around the rewriter.

The physical relation between the torque and the pulling force is:

$$F = M / r$$

F: Pulling force [N],

M: Winding torque [Ncm],

r: Radius of the rewriter (38 mm)

The set values for the winding torque and the resulting pulling force at the rewriter are:

Winder	Measurement	Direction of rotation	Printer	Winding torque M	Pulling force F
Internal rewriter	A	against winding direction	all	28 - 32 Ncm	14 - 16 N
	B	in winding direction	all	8 - 12 Ncm	4 - 6 N

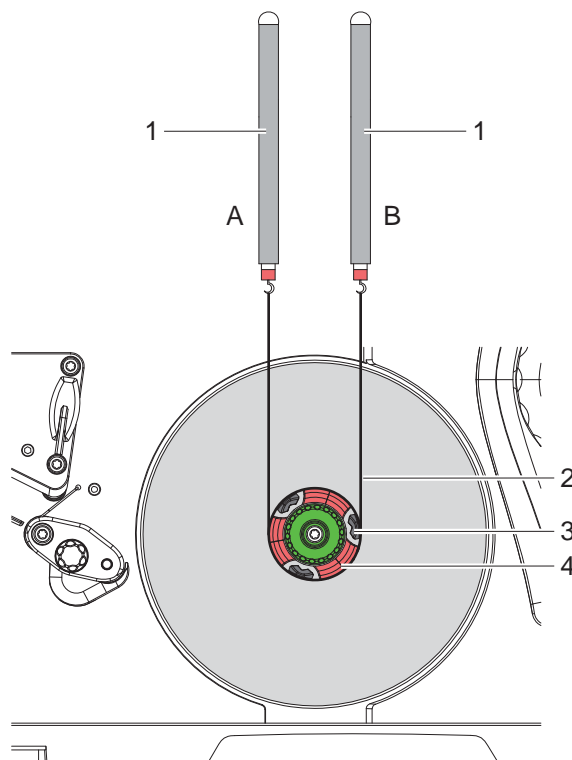
Table 2 Winding torques at the internal rewriter



Danger!

Risk of death via electric shock!

- ▶ Before opening the housing cover, disconnect the device from the mains supply and wait at least one minute until the power supply unit has discharged.



1. Unplug the printer from the electrical outlet.
2. Remove the rear cover.
3. Remove the labels from the printer.
4. Push the cord (2) under a bracket (3) of the internal rewriter (4) and wind it around the rewriter.
5. Secure spring scale [25 N] (1) at the end of the cord.
6. Move the spring scale upward vertically until the winder begins turning.
If the drive belt at the rewriter is also moving, hold it in place during the measurement. Otherwise, the measurement is not accurate.
7. Allow the cord to unwind from the rewriter at least one full turn and read the pulling force F on the spring scale at the same time.
8. If the winding torque differs from the set value, it must be adjusted ▷ 4.1.2 on page 21.

Fig. 14 Winding torques at the internal rewriter

4.1.2 Adjusting the Winding Torques

The winding torque of a winder can be changed at the knurled ring of the respective slipping clutch. The numbers on the knurled ring stand for the value of the winding torque:

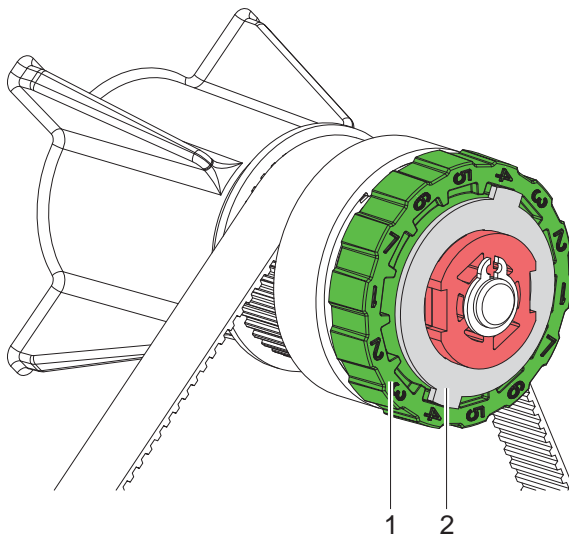
- 1: Lowest winding torque
- 7: Highest winding torque

The current value is indicated by the number located at the positions of the two locking tabs.

**Danger!**

Risk of death via electric shock!

- ▶ **Before opening the housing cover, disconnect the device from the mains supply and wait at least one minute until the power supply unit has discharged.**



1. Unplug the printer from the electrical outlet.
2. Remove the rear cover.
3. Press the knurled ring (1) of the slipping clutch toward the housing wall. The lock (2) of the knurled ring is released.
4. Turn the knurled ring while pushing it and release it in the desired position.
5. Ensure that the tabs of the lock are located completely in the grooves of the setting value.
Ribbon winders ▷ page 19
Internal rewinder ▷ page 20
7. Repeat the adjustment until the measured winding torque is within the tolerance range. Is it not possible change the slipping clutch ▷ 3.4 on page 11.
8. Mount the rear cover.

Fig. 15 Adjusting the winding torque

4.2 Adjusting the Printing Mechanism

Major adjustment of the printing mechanism beyond format-based settings is only required if the printhead assembly has been removed or parts in this area have been replaced. Excluded from this is the replacement of the printhead, after which readjustment is generally not required.

The following print quality imperfections may indicate maladjustment of the printing mechanism:

- Print image too light
- Print image is spotty
- Print image lighter on one side
- Horizontal lines not parallel to the horizontal label edges
- Clear lateral drift of the transfer ribbon



Note!

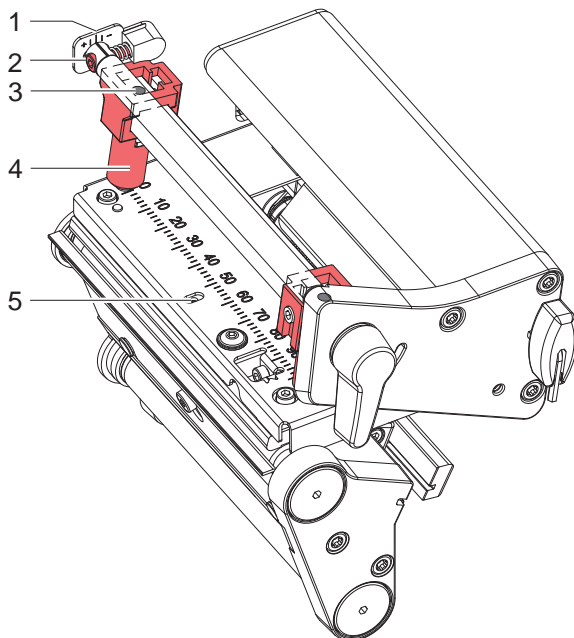
Print image errors can also arise from wrinkling of the transfer ribbon.

- ▶ **Check the transfer ribbon feed path and the head locking system for correct adjustment before making adjustments to the printing mechanism** ▷ Operator's Manual.

Adjustment of the printing mechanism comprises the following procedures in the order specified:

1. Prepare the label printer for adjustment ▷ 4.2.1 on page 22.
2. Adjust the position of the printhead ▷ 4.2.2 on page 23.
3. Adjust the printhead pressure ▷ 4.2.3 on page 24.
4. Adjust the transfer ribbon feed path ▷ 4.2.4 on page 25.
5. Perform a final test ▷ 4.2.5 on page 25.

4.2.1 Preparing the Printer for Adjustment



1. Load transfer ribbon at the print unit to be adjusted and labels which extend across the entire printing width.
2. In the printer configuration, set the *Print speed* parameter to 100 mm/s.
3. Move the transfer ribbon deflection to the central position (1) with the screw (2).
4. Position the plungers (4) in such a way that the adjustment screws are accessible through the holes (3) of the square axis.
5. Loosen the screw (5) for the printhead bowing with an Allen key (1.5 mm) and turn it counterclockwise until turning becomes perceptibly easier. This should occur after a maximum of a half a rotation.
6. Continue with the adjustment of the printhead position ▷ 4.2.2 on page 23.

Fig. 16 Preparing the printer for adjustment

4.2.2 Adjusting the Printhead Position

In order to achieve the best possible print image the following printhead settings are necessary:

- Set the parallelism of horizontal lines with the edge of the label.
- Align the heating line with the highest point of the print roller. Density of the print image is the greatest at this point.



Attention!

Risk of damage.

Attempting to adjust the printhead when the fixing screws (1) are tight can lead to defects at the printhead assembly.

- ▶ Always loosen the fixing screws (1) before adjusting the printhead.

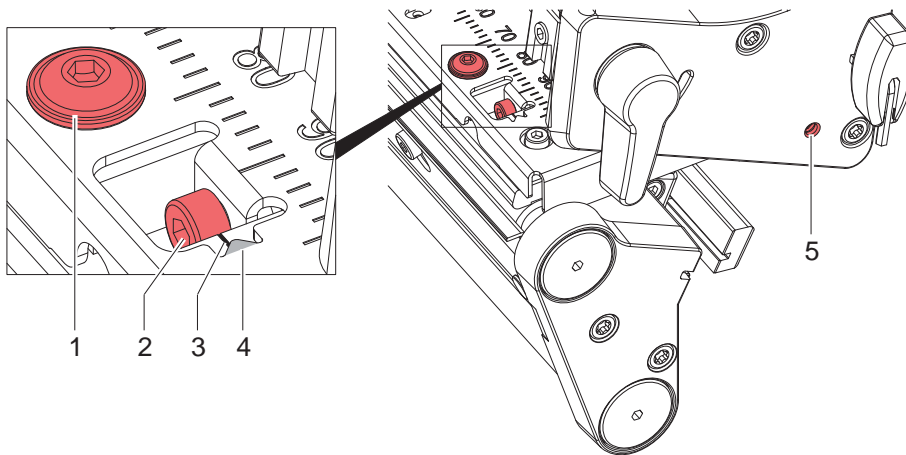


Fig. 17 Adjusting the printhead position



Note!

- ▶ Open and close the printhead after each step of the adjustment.

1. Loosen the screw (1) about a quarter turn.
2. Align the mark (2) on the carrier plate to the pointer (4) in the printhead carriage by turning the screw (2).
3. Check the printhead alignment with the test function *Test grid* (▷ Configuration Manual) or a similar pattern.
4. If horizontal lines are not parallel to the label edges, adjust the parallelism with the screw (2).
5. Tighten the screw (1).
6. Set the best possible image quality by turning the eccentric (5).
Differences in the density between the two sides are still permissible.
7. Continue with the adjustment of the printhead pressure ▷ 4.2.3 on page 24.

4.2.3 Adjusting the Printhead Pressure

The printhead pressure can be changed with the screws (1a) and (1b) at the inside and outside of the printhead. Increasing the printhead pressure leads to an improvement of the print image density on the corresponding side and to a shifting of the ribbon feed path to the other side.

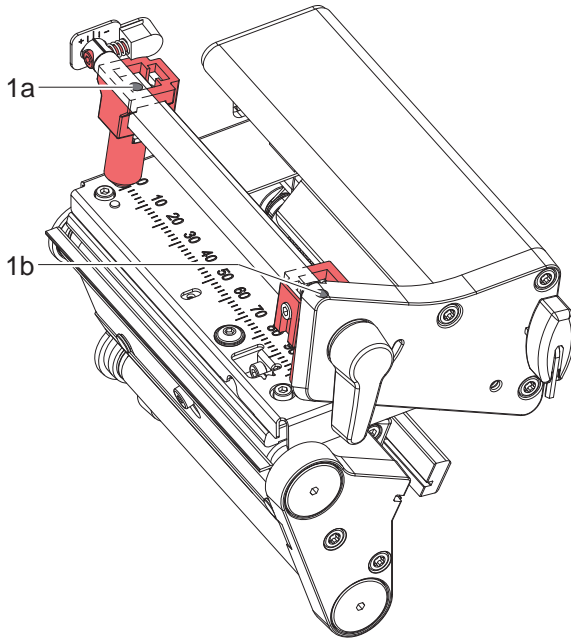


Fig. 18 Adjusting the printhead pressure

1. Turn the adjustment screws (1a, 1b) counterclockwise until turning becomes perceptibly easy.
2. Reduce the *Heat level* in the printer configuration until the print image is only barely recognizable. Under these conditions, inaccuracies become clearly visible during adjustment.
3. Create print samples with the test function *Test grid* (▷ Configuration Manual) or a similar print pattern.
4. Adjust the adjustment screw (1a or 1b) clockwise in small increments on the side with the weaker print image until the print image is even across the entire width.
5. Set the original *Heat level* in the printer configuration.
6. Continue with setting of the transfer ribbon feed path ▷ 4.2.4 on page 25.

4.2.4 Adjusting the Transfer Ribbon Feed Path

You can adjust the transfer ribbon feed path by changing the head contact pressure and adjusting the transfer ribbon deflection (3). Increasing the head contact pressure with the screws (2a) and (2b) shifts the ribbon feed path in the corresponding direction. The skew of the transfer ribbon deflection is used to suppress wrinkles in the transfer ribbon feed path. Wrinkles which cannot be remedied with the skew of the transfer ribbon deflection can be suppressed by bowing the printhead.

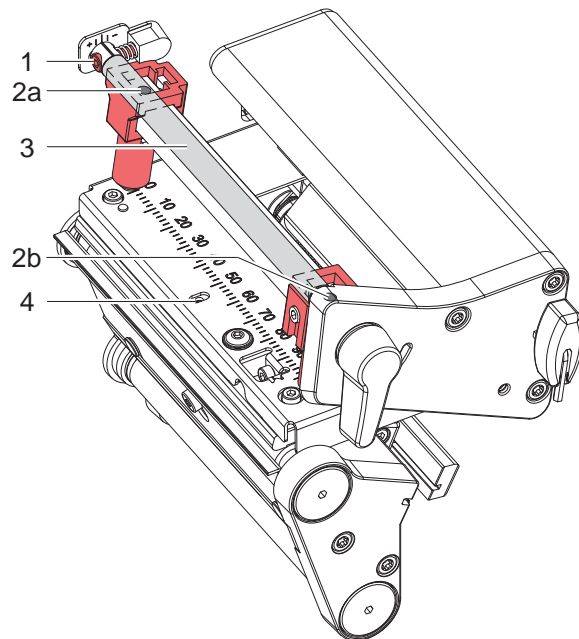


Attention!

The printhead assembly can be damaged when bowing the printhead.

Turning the adjustment screw (4) too hard can cause damage to the printhead assembly.

- ▶ As soon as you perceive clear resistance when turning the adjustment screw (4), you may only continue turning the screw in very small increments, but no more than one eighth of a turn.
- ▶ Only turn the adjustment screw (4) as far as is absolutely necessary.



1. Check the transfer ribbon feed path.
The wound up ribbon should be the same distance from the disk of the winder as the supply roll is from the disk of the supply hub.
2. If the ribbon runs outward, turn screw (2a), or if the ribbon runs inward, turn screw (2b) clockwise in small increments.
Wait until the ribbon feed path has stabilized after each step of the adjustment.
3. Check the ribbon feed path for wrinkles.
4. If wrinkles arise on the inside, turn the screw (1) counterclockwise. If wrinkles arise on the outside, turn the screw (1) clockwise.
5. If the wrinkles cannot be remedied (e.g. wrinkles in the center), turn the adjustment screw (4) clockwise **with extreme care** using an Allen key (1.5 mm) and observe the ribbon feed path.
When the adjustment screw (4) is tightened, the printhead is bent downward slightly in the center. It is possible that a slight lightening at the edge areas of the print image could occur here.
6. If bowing is not necessary, turn the screw (4) clockwise until the screw is just barely clamping.
7. When the transfer ribbon feed path is set, continue with the final test.

Fig. 19 Adjusting the transfer ribbon feed path

4.2.5 Final Test

- ▶ Recheck the setting with the test function *Test grid* (▷ Configuration Manual) or a similar print pattern.

When using standard cab media, the test printout must show lines with sharp contours and black areas without any parts missing.

4.3 Adjusting the Belt Tension at the Main Drive Motor

**Danger!**

Risk of death via electric shock!

- ▶ Before opening the housing cover, disconnect the device from the mains supply and wait at least one minute until the power supply unit has discharged.

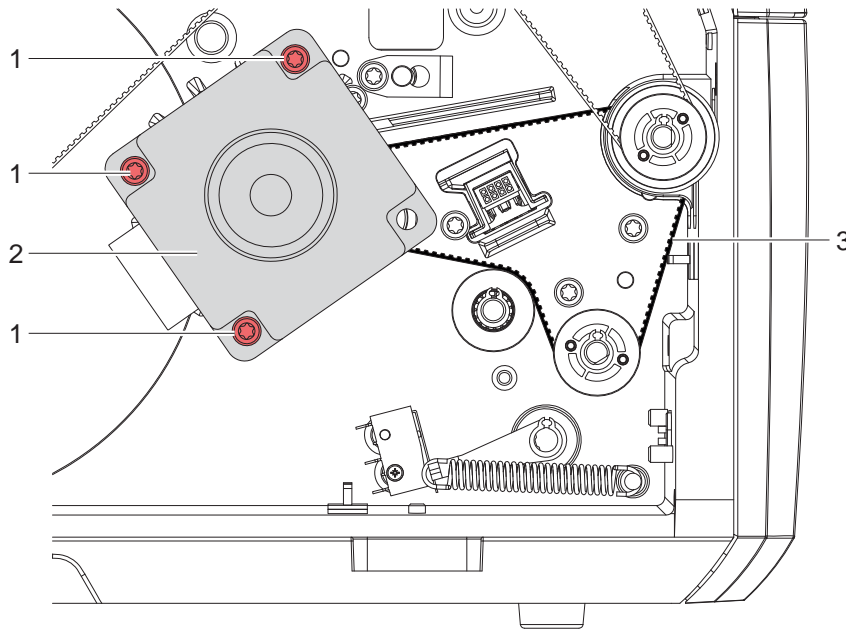


Fig. 20 Adjusting the belt tension

1. Unplug the printer from the electrical outlet.
2. Remove the rear cover.
3. Loosen the three fixing screws (1) of the motor (2).
4. Swivel the motor (2) in such a way that the toothed belt (3) is tensioned tightly and tighten the fixing screws (1) in this position of the motor.

5.1 Failure of Device Functions

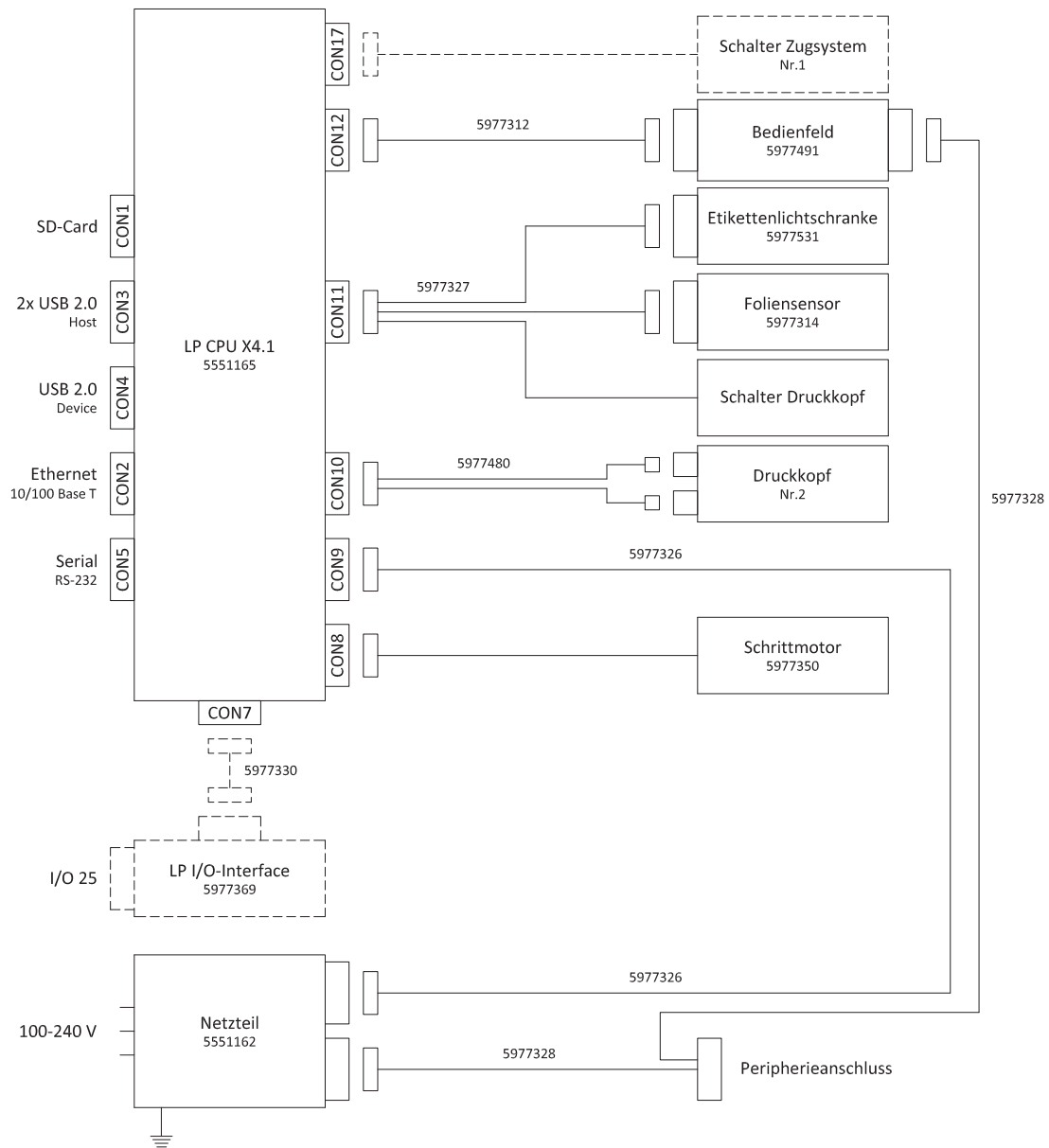
Functional error	Possible remedy
Medium is not transported	Check electrical connections between PCB CPU and motor
	Check drive mechanism
	Replace the PCB CPU
	Replace the motor
No print image with medium transport	Check plug connections at the printhead
	Examine printhead cable for damage and replace if necessary
	Replace the printhead
	Replace the PCB CPU
No display function	Check cable connection between PCB CPU and control panel
	Replace the control panel
	Replace the PCB CPU
Communication via an interface is not functioning	Check whether the interface configurations of the printer and computer match
	For an Ethernet connection, check the validity of the IP address and the subnet mask
	Check the interface cable and replace it if necessary
	If all functionality of the interface has been lost, replace the PCB CPU
A peripheral device is not functioning	Check whether the peripheral device is activated via programming
	Check the USB cable of the peripheral device and replace it if necessary
	Check the peripheral device
	Replace the PCB CPU

Table 3 Failure of device functions

5.2 Permanent Hardware Faults

Error message	Cause	Fault recovery
<i>Printhead thermistor broken</i>	Thermistor at the printhead defective	Replace the printhead
<i>Voltage error</i>		
V_{BAT}	Voltage of the battery on the PCB CPU is too low	Replace the PCB CPU
24 V	24 V too low	Check voltage at measurement point +24V ▷ Fig. 21 on page 29: <ul style="list-style-type: none"> Voltage too low: Replace the power supply unit Voltage is correct: Replace the PCB CPU
24 V TPH	24 V for the printhead too low	Check voltage at measurement point +24V TPH ▷ Fig. 21 on page 29: <ul style="list-style-type: none"> Voltage too low: Replace the power supply unit Voltage is correct: Replace the PCB CPU

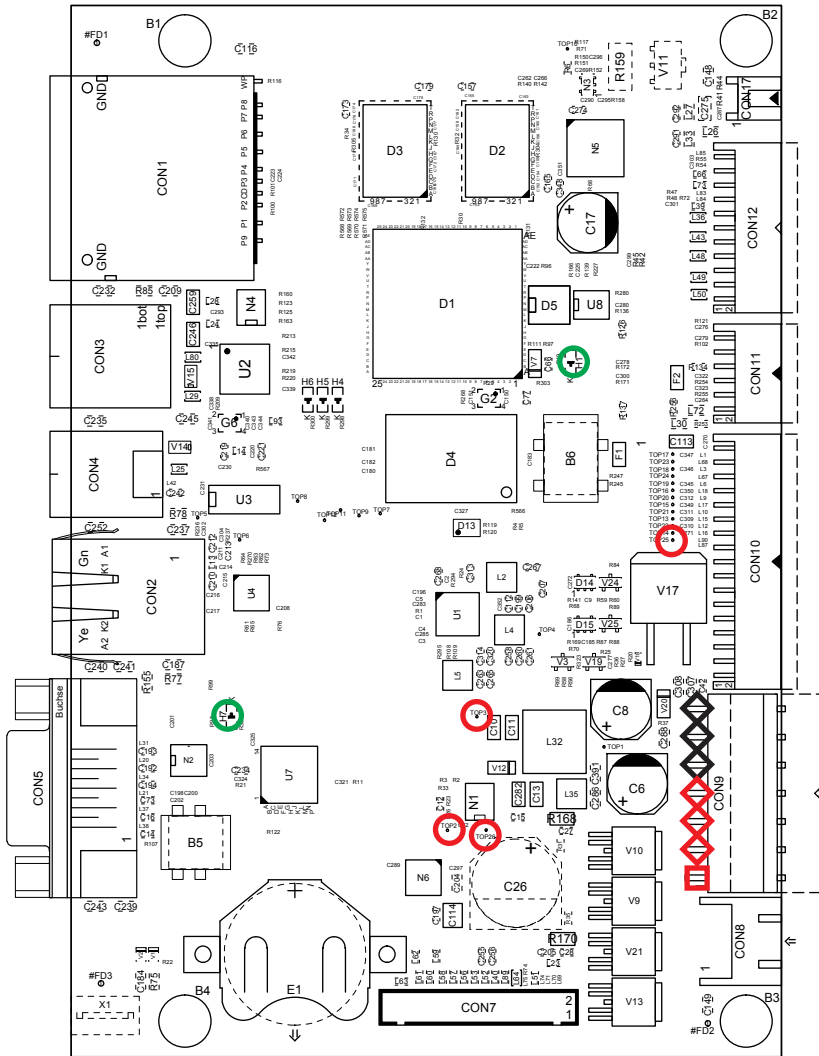
Table 4 Hardware faults



Printer	No.1
SQUIX 4...P	5977331
SQUIX 4...T	5952598
SQUIX 6.3...P	5977331

Printer	No.2
SQUIX 4/300...	5977444
SQUIX 4/600...	5977380
SQUIX 4.3/200...	5977382
SQUIX 4.3/300...	5977383
SQUIX 6.3/200...	5977386
SQUIX 6.3/300...	5977387

Fig. 21 Block diagram



Measuring points at CON9:

	GND
	+24V
	+V _{MOT} (+24V)

Measuring points on the PCB:

	TOP2	+24V
	TOP3	+5V
	TOP25	+24V TPH
	TOP26	+V _{MOT} (+24V)

LEDs on the PCB:

	H1	+3,3V
	H7	LED FPGA on during start procedure blinking after start procedure

Fig. 22 Layout diagram PCB CPU

B		T	
Belt tension.....	26	Test collar	18
Block diagram.....	28	Tools	8
Brake	12	Torque.....	18, 20
C		Transfer ribbon feed path	25
CPU	14	U	
E		Unwinder	19
Error treatment	27	V	
F		Voltages, exposed	6
Failure of device functions.....	27	W	
G		Winding torque	
General safety instructions	5	Adjustment.....	21
Greasing	17	Internal rewinder	20
H		Measurement.....	18
Hardware faults	27	Ribbon winders	19
I			
Important information.....	4		
L			
Label sensor replacement	13		
Layout diagram PCB CPU.....	28		
M			
Maintenance work	6		
P			
PCB CPU replacement.....	14		
Power supply replacement	15		
Power supply unit	15		
Printhead position.....	23		
Printhead pressure	24		
Printhead replacement	8		
Print image	22		
Printing mechanism.....	22		
Print roller replacement	10		
Protective devices	5		
R			
Rewind assist roller replacement.....	10		
Rewinder	19, 20		
S			
Slipping clutches			
Adjustment.....	21		
Replacement.....	11		